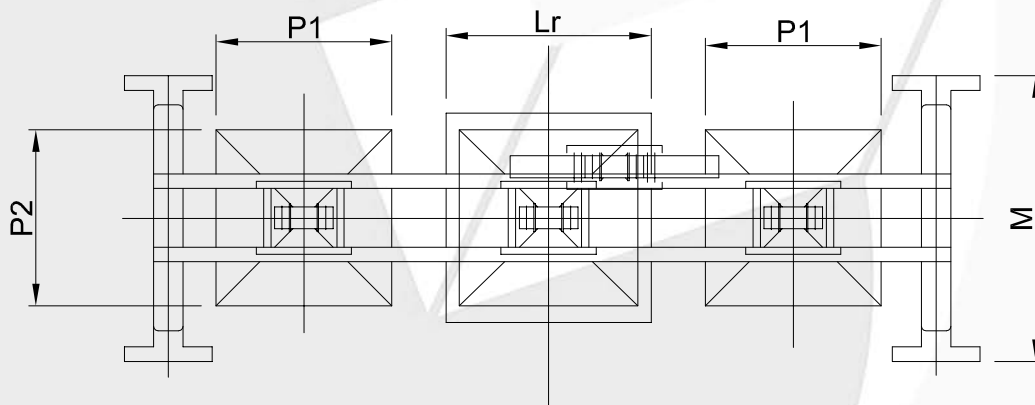
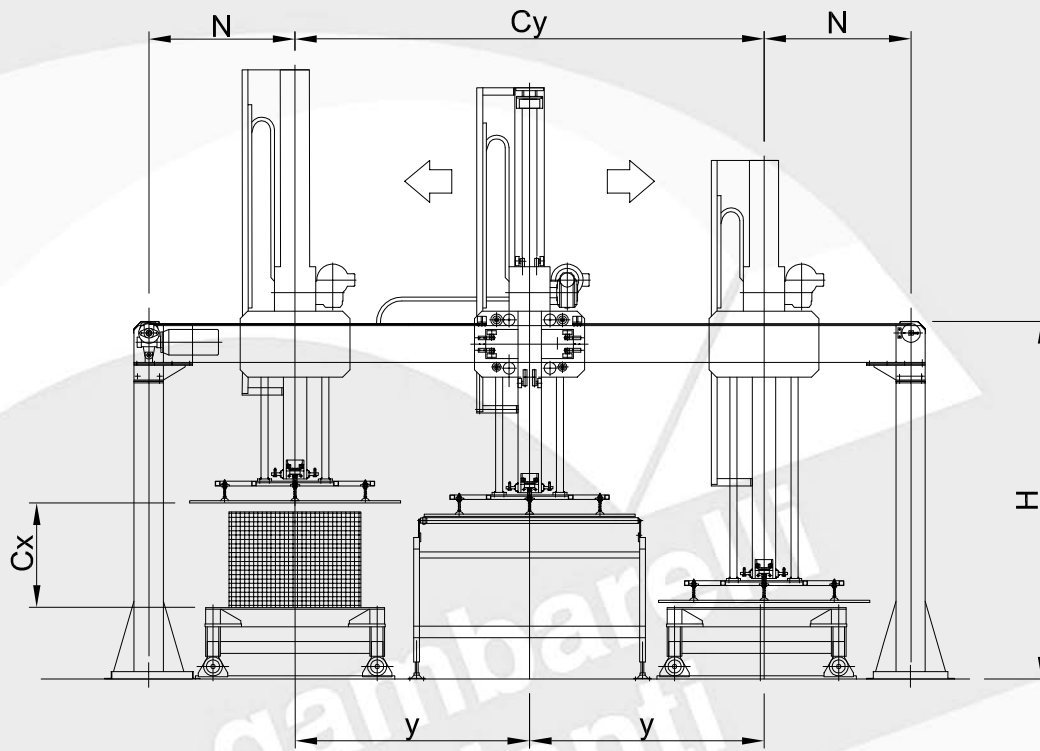




GAMBARELLI *Impianti*

SPV

Storage machine with vacuum system





Storage machine with vacuum system

Technical data

Lr	P1	P2
1000	800	800/2300
1100	900	800/2300
1200	1000	800/2300
1300	1100	800/2300
1400	1200	800/2300
1500	1300	800/2300
1600	1400	800/2300

Lr	P1	P2
1700	1500	800/2300
1800	1600	800/2300
1900	1700	800/2300
2000	1800	800/2300
2240	2040	800/2300
2500	2300	800/2300

The gambarelli impianti technical office is at the customer's disposal to develop customised projects.

Description of the machine

The SPV storage machine is a multifunctional system that can load and/or unload layers fired tiles from or into an accumulation line. The machine is composed by a roller way with bench that forms the tiles batches and of a unit that through a gripper layer picks and deposit them into containers; the operation is reversible, therefore the machine can also take the tiles layers from the containers, deposit and send them again on the line.

The machine, in its various versions, treats sizes from 10x10 up to 60x60; the standard version treats sizes ranging between 15x15 up to 40x40.

Size changeovers need small and easy adjustments.

It is driven by an electric equipment with programmable logic; the size variation and alarms visualization are handled by the alphanumeric keyboard externally to the control panel.