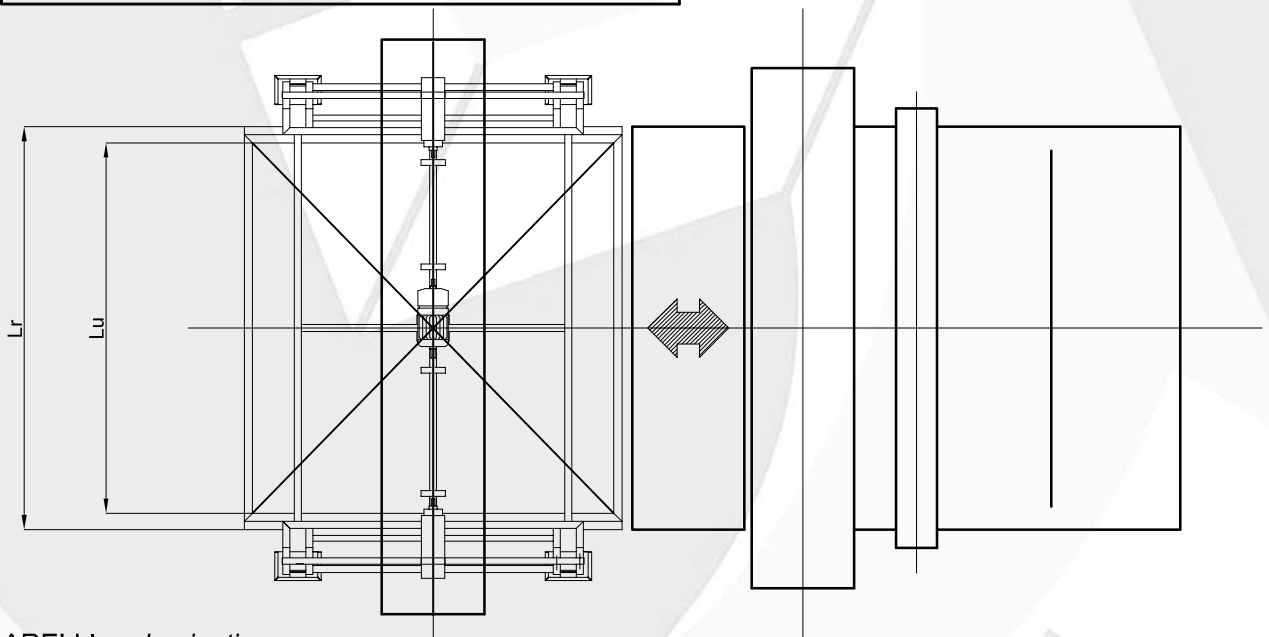
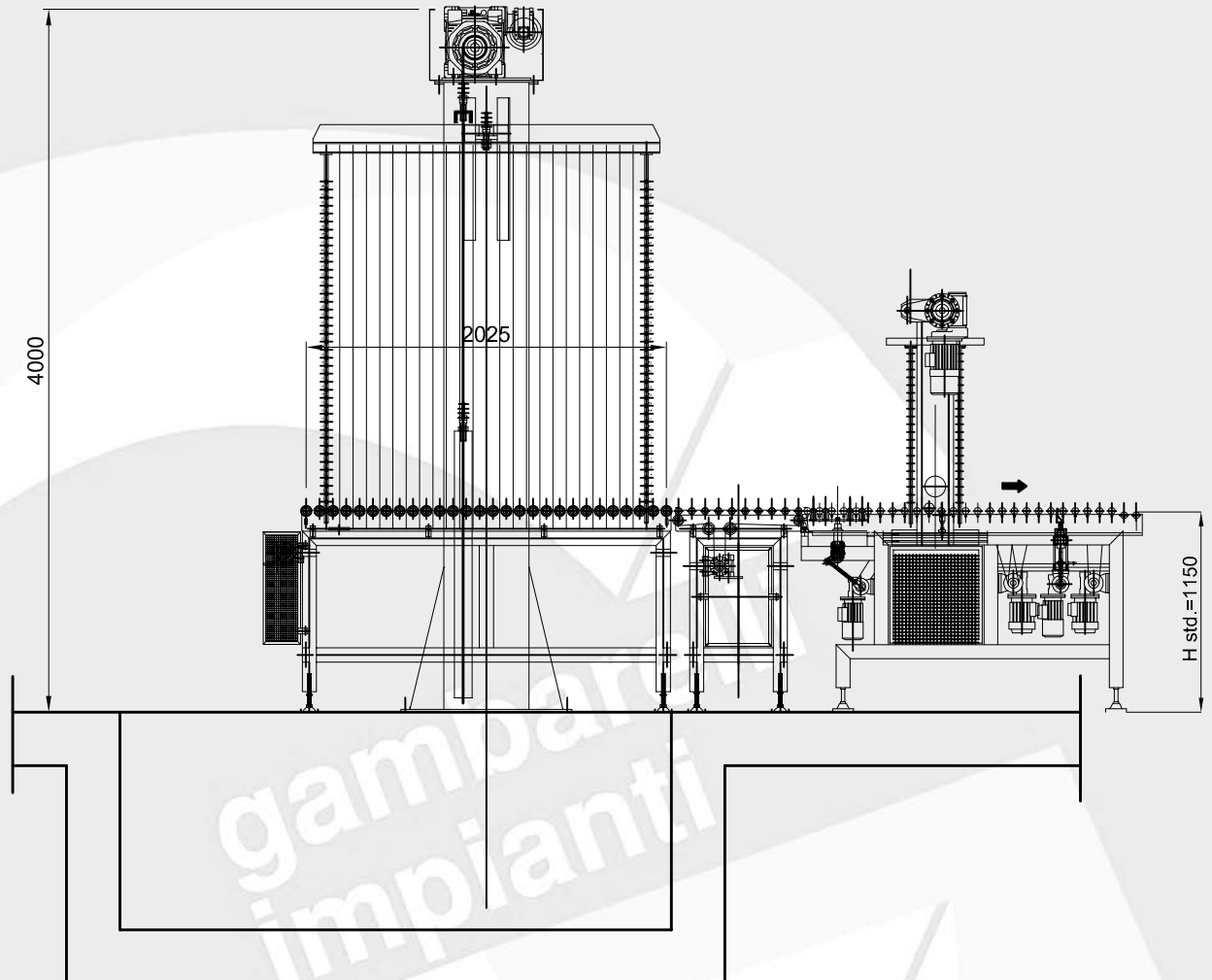




Storage with maxi compenser





Storage with maxi compenser

Technical data

Lr	Lu	Layers	Capacity
2040	1800	40	144 m ²
2300	2050	40	164 m ²
2500	2250	40	180 m ²
2740	2500	40	200 m ²
3000	2750	40	220 m ²

The gambarelli impianti technical office is at the customer's disposal to develop customised projects.

Description of the machine

The SMC storage machine with maxi compenser is used at the entrance of any kind of roller kiln, to avoid failures in the glazing line, in case of bad functioning.

The machine is composed by: a receiving material bench and a motorized roller way that with the 40-layers compenser can load more tiles rows.

The machine, in its various versions, treats sizes from 10x10 up to 60x60 with a max. thickness of 15 mm; the standard size treats sizes ranging between 15x15 up to 40x40.

It is handled by an electric equipment with programmable logic; the time variation and alarms visualization are handled by an alphanumeric keyboard externally to the control panel.