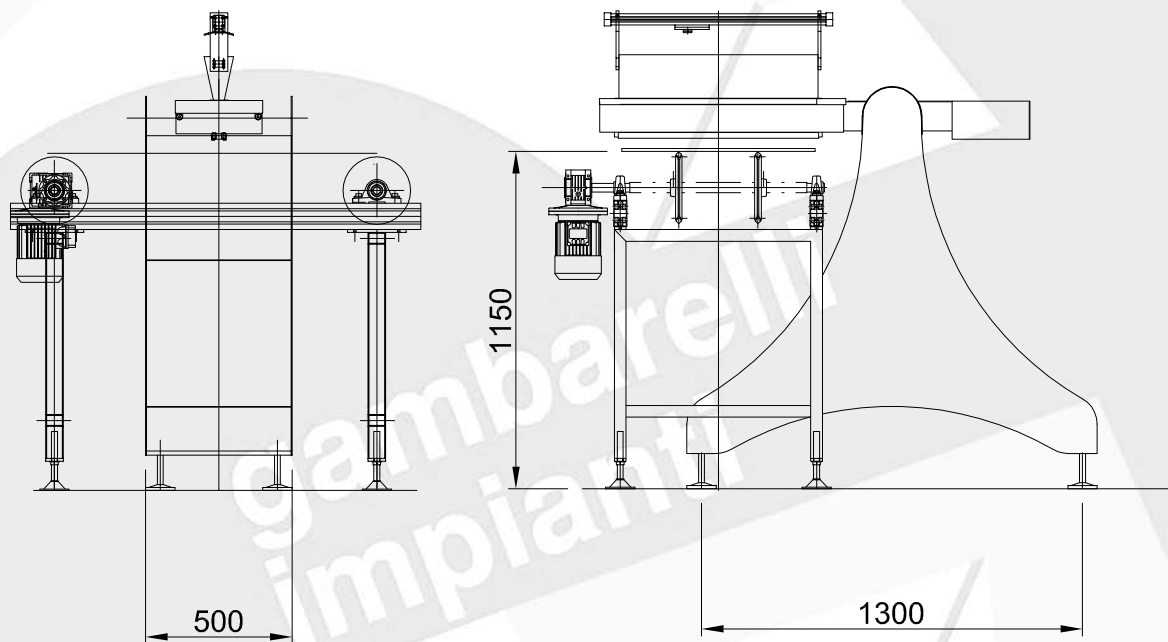




GAMBARELLI *Impianti*

Dry Pixel -one





Dry Pixel-one

Description of the machine

The DRY PIXEL-ONE machine executes the decoration of tiles with dry glaze. The main characteristic of this machine is to apply the glazes in every pixel of the tile with colour and quantity electronically defined following a graphic program selected and that can be seen on the video. The DRY-PIXEL ONE is a system **completely electronic**, without auxiliary mechanical parts as screens, belts, rollers, etc.

The graphic image executed by the machine is seen on the video and can be modified in any time with a normal mouse. It can be changed: the graphic, the colours, the quantity of glaze to deposit for each colour, changing the tones. It can also be recorded the size of the tile, in this way the size change does not need the replacement or the adjustment of mechanical parts.

The program containing all the data concerning the graphic, the size, the quantity, the colours is recorded on a standard disc, which will allow in any moment to change the graphic. This operation has been made through the use of nozzles driven by the computer that read the graphic and other working parameters. The machine is complete with 1 printing head for a total number of 2 colours.