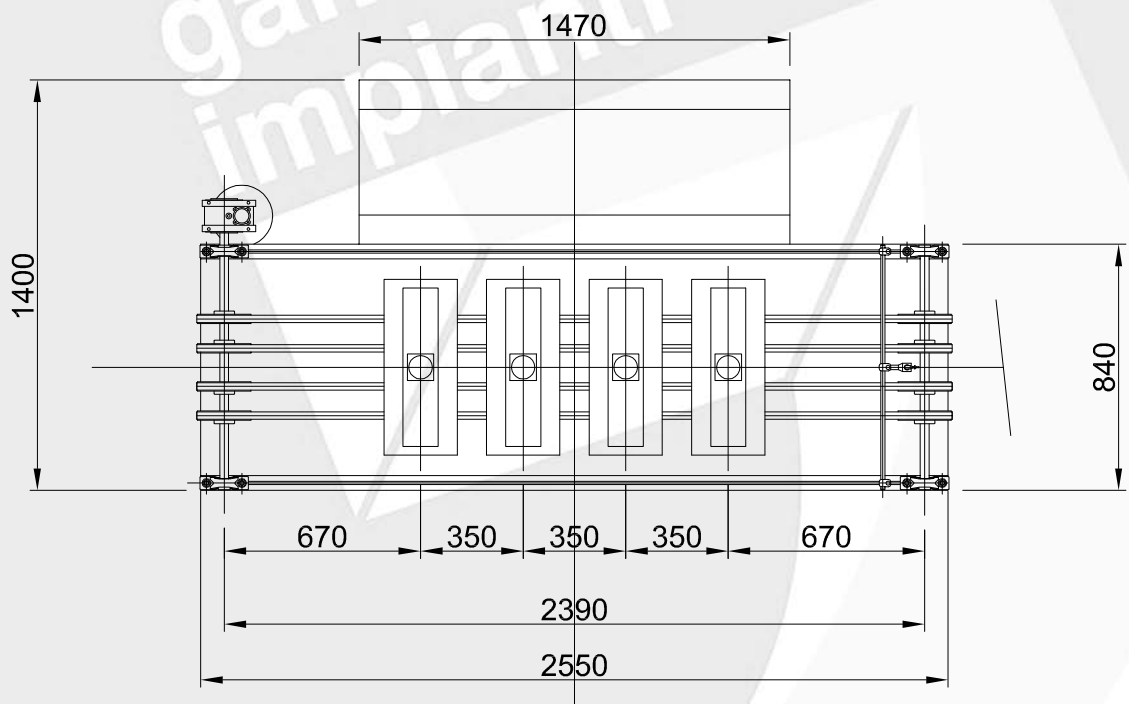
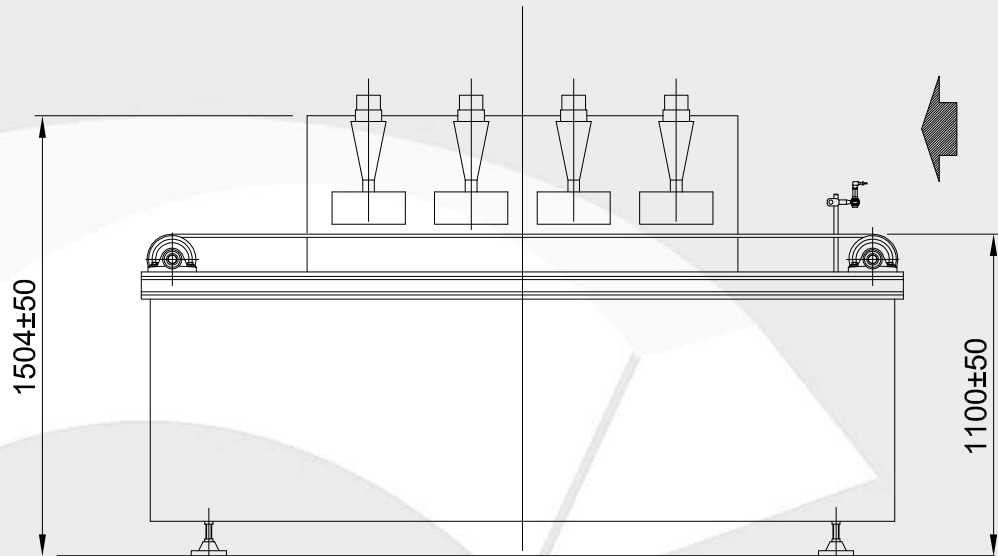




GAMBARELLI *Impianti*

Dry Pixel -Line





Dry Pixel-Line

Description of the machine

The DRY-PIXEL LINE machine executes the decoration of tiles with dry glaze. The main characteristic of this machine is to apply the glazes in whatever pixel of the tile with quantity and colour electronically defined following a selected graphic program visible on the video. The DRY-PIXEL LINE is a handling system completely electronic without auxiliary mechanical parts as screens, belts, rollers, etc.

It is possible to execute decorations on tiles in a CENTRED way, all equal tiles, or in a PROGRAMMED RANDOM, with different decorations but controlled by a quick transit of the tiles water the line.

The graphic figure executed by the machine appears on the video and can be modified in any moment with a normal mouse. It can be changed: graphic, colours, quantity of glaze for each colour, changing in this way the different tones of the colours.

Also the tiles size is recorded, so the size changeovers do not involve the replacement or the adjustment of mechanical parts.

The program containing all the data referring the graphic, the size, the quantity and the colours is recorded on a normal disk, which will allow, in any moment, the changement of work in one particular second, perfectly reproducing the decoration previously executed. All the above has been obtained using a range of nozzles driven in a digital way by the computer, which read the graphic and the other working parameters. The machine can be supplied with exits from 2 to 8 colours. The colours drawing up at the internal of the machine allows to fix them only one time at the exit.